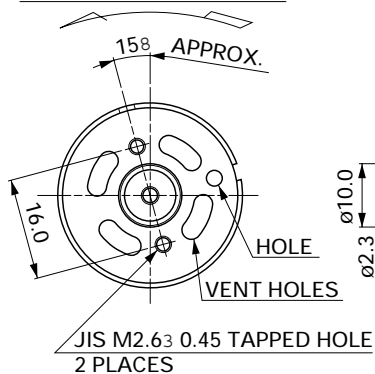


The terminal position against the tapped holes varies depending on CW+/NEUTRAL.

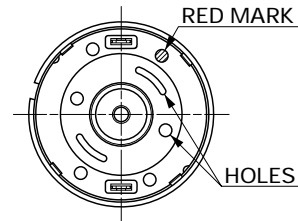
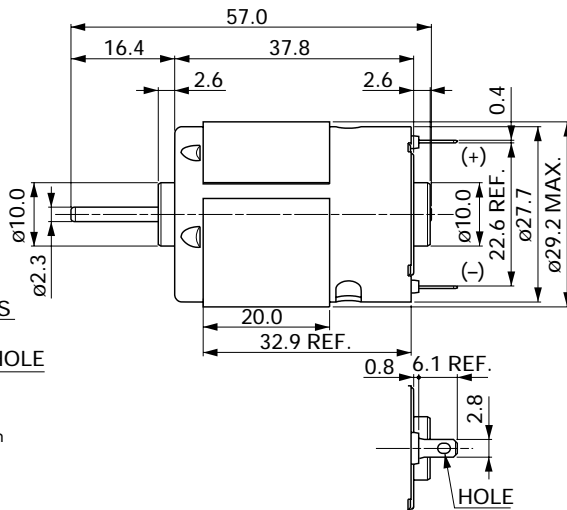
UNIT: MILLIMETERS

CCW(+)

DIRECTION OF ROTATION



Usable machine screw length 3.0 max. from motor mounting surface.



WEIGHT: 80g (APPROX)